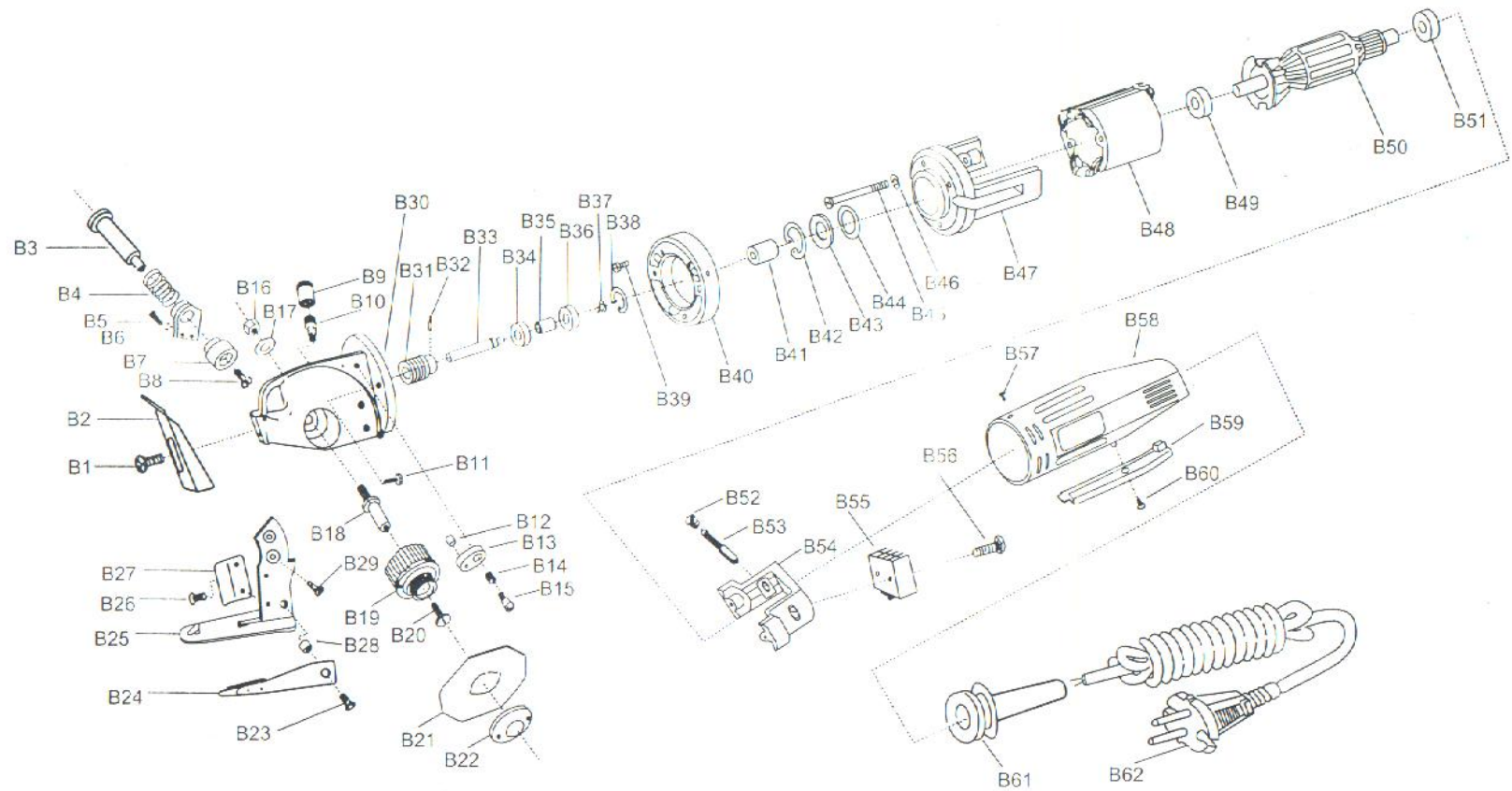


SPARE PARTS OF MINIATURE ROUND CUTTING MACHINE



B1 screw	B6 grinder frame	B11 screw	B16 screw cap	B21 knife blade	B26 screw	B31 worm rod	B36 bearing	B41 connector	B46 spring	B51 bearing	B56 screw	B61 wire cap
B2 guard holder	B7 Emery-wheel	B12 lubricating cotton	B17 washer	B22 knife cover	B27 cloth sharpener	B32 pin	B37 outer lock ring	B42 inner lock ring	B47 front motor	B52 carbon brush	B57 screw	B62 attachment wire
B3 grinder roa	B8 screw	B13 lubricator	B18 worm gear oil	B23 screw	B28 washer	B33 worm shaft	B38 inner lock ring	B43 washer	B48 stator	B53 carbon brush	B58 motor cover	
B4 spring	B9 oil cup	B14 spring	B19 worm gear	B24 lower knife	B29 screw	B34 bearing	B39 screw	B44 washer with wave	B49 bearing	B54 rear motor	B59 on-off set	
B5 screw	B10 oil tube	B15 screw	B20 screw	B25 pressure foot	B30 machine head	B35 washer	B40 connecting stand	B45 screw	B50 rotor	B55 switch	B60 screw	