

图1

机架及盖部零部件

Machine Frame & Covers Components

序号 Ref.NO.	部件号码 Parts No.	部件名称 Description	部件名称 Description
1-1	4139	边盖	Arm Side Cover
1-2	4144	边盖固定螺钉	Arm Side Cover Set Screw
1-3	4137	边盖板	Arm Side Cover Plate
1-4	5227	边盖板螺钉	Arm Side Cover Plate Screw
1-5	4138-B	顶盖板	Arm Top Cover Plate
1-6	4141	顶盖板螺钉	Arm Top Cover Plate Screw
1-7	4140-A	顶盖板垫圈	Arm Top Cover Plate Washer
1-8	4143	皮带护罩	Belt Guard
1-9	4048-A	皮带护罩固定螺钉	Belt Guard Set Screw
1-10	AM100-B	机架	Machine Frame
1-11	11091	端面盖	End Cover
1-12	11153	端面盖固定螺钉	End Cover Set Screw
1-13	4214	机器底座毛毡护垫	Machine Base Felt Pad
1-14	AC-15	机器底座螺钉	Machine Base Clamp Screw
1-15	AC-17	机器底座垫圈	Machine Base Washer
1-16	AC-16	机器底座螺母	Machine Base Nut

针摆装置及进料装置零部件 Needle Carrier & Feed Dog Mechanism Components

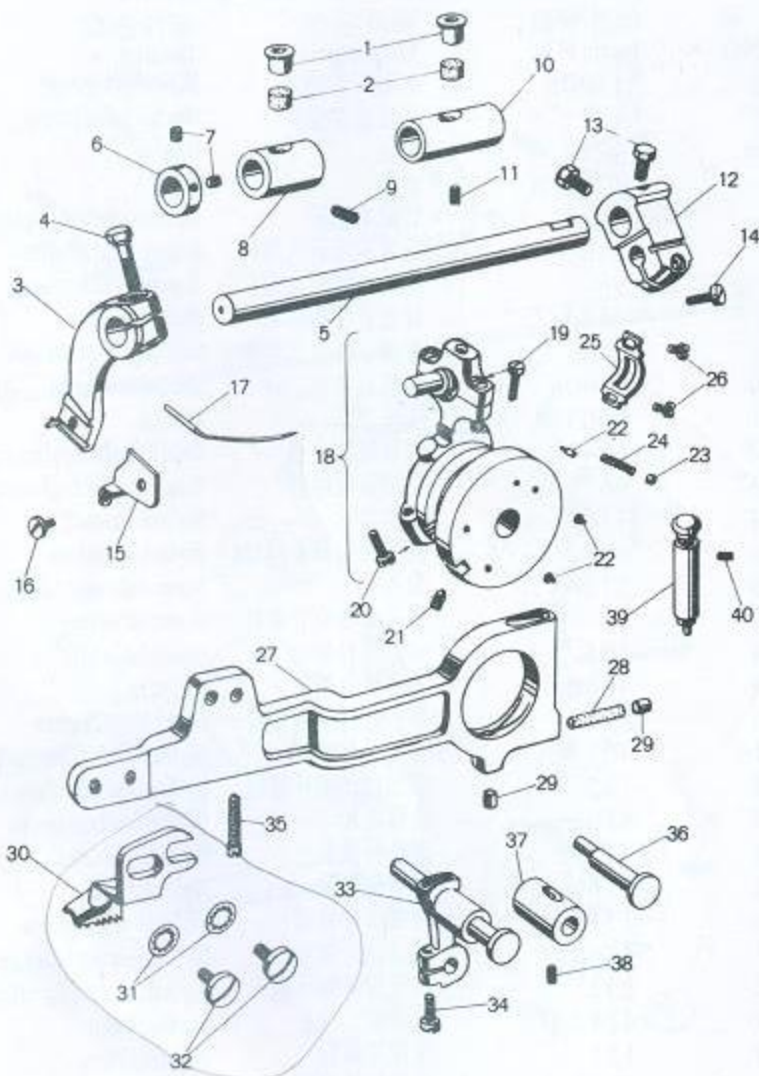


图 3

序号 Ref.NO.	部件号码 Parts No.	部件名称 Description	部件名称 Description
3-1	4128A	油盖	Oil Cap
3-2	4217	油毡	Oiling Felt
3-3	4023A	针摆	Needle Carrier
3-4	4024	针摆螺钉	Needle Carrier Set Screw
3-5	4019	针轴	Needle Carrier Shaft
3-6	4022	针轴环	Needle Carrier Shaft Collar
3-7	129-13	针轴环螺钉	Needle Carrier Shaft Collar Set Screw
3-8	4020-A	针轴前套管	Needle Carrier Shaft Bushing(Front)
3-9	129-A	针轴前套管螺钉	Needle Carrier Shaft Bushing(Rear)
3-10	4021-A	针轴后套管	Needle Carrier Shaft Bushing Set Screw
3-11	129-A	针轴后套管螺钉	Needle Carrier Shaft Crank
3-12	4017-A	针轴曲柄螺钉	Needle Carrier Shaft Crank Set Screw
3-13	4018-A	针轴曲柄螺钉	Needle Carrier Shaft Crank Clamp Screw
3-14	114-A	针轴曲柄夹紧螺钉	Needle Clamp
3-15	11139	针夹	Needle Clamp Set Screw
3-16	121	针夹螺钉	Needle (System LW X 6T)
3-17	4181	机针 (LW/6T系列)	Needle Driving Eccentric Assembly with Regulator Screw (Ref.No. 18, 21)
3-18	1151	关节球头组件	Ball Connecting Rod Set Screw(short)
3-19	4211-C	连接杆短螺钉	Ball Connecting Rod Set Screw(Long)
3-20	4173	连接杆长螺钉	Needle Driving Eccentric Set Screw
3-21	4009B	连杆偏心器螺钉	Stitch Regulator Screw
3-22	4012-A	缝迹指示器螺钉	Stitch Regulator Ball
3-23	4010	缝迹指示器钢球	Stitch Regulator Spring
3-24	4011-A	缝迹指示器弹簧	Ball Connecting Rod Cap
3-25	4014	球头套盖	Ball Connecting Rod Cap Set Screw
3-26	4015	球头套盖螺钉	Feed Lever
3-27	11902	进料杆	Oiling Felt
3-28	11124-J	油毡	Oil Cap
3-29	11121	油盖	Feed Dog
3-30	10129	牙齿	Feed Dog Washer
3-31	2528	牙齿垫圈	Feed Dog Set Screw
3-32	4048-A	牙齿螺钉	Feed Link & Stud
3-33	1152-A	送布曲柄及销子	Feed Link Clamp Screw
3-34	4173	送布曲柄销子螺钉	Feed Link Stud Set Screw
3-35	4042A	进料曲柄销子螺钉	Feed Link Eccentric Stud
3-36	4044	进料曲柄偏心销	Feed Link Eccentric Stud Bushing
3-37	4043	进料曲柄套管	Feed Link Eccentric Stud Bushing Set Screw
3-38	129A	进料曲柄套管螺钉	Stitch Length-Regulating Plunger Assembly
3-39	520A	缝迹长度调整活塞	Stitch Length Regulating Plunger Set Screw
3-40	129A	活塞螺钉	

起菱盘及进料板机械零部件

Ridge Forming Disc & Feed Plate Mechanism Components

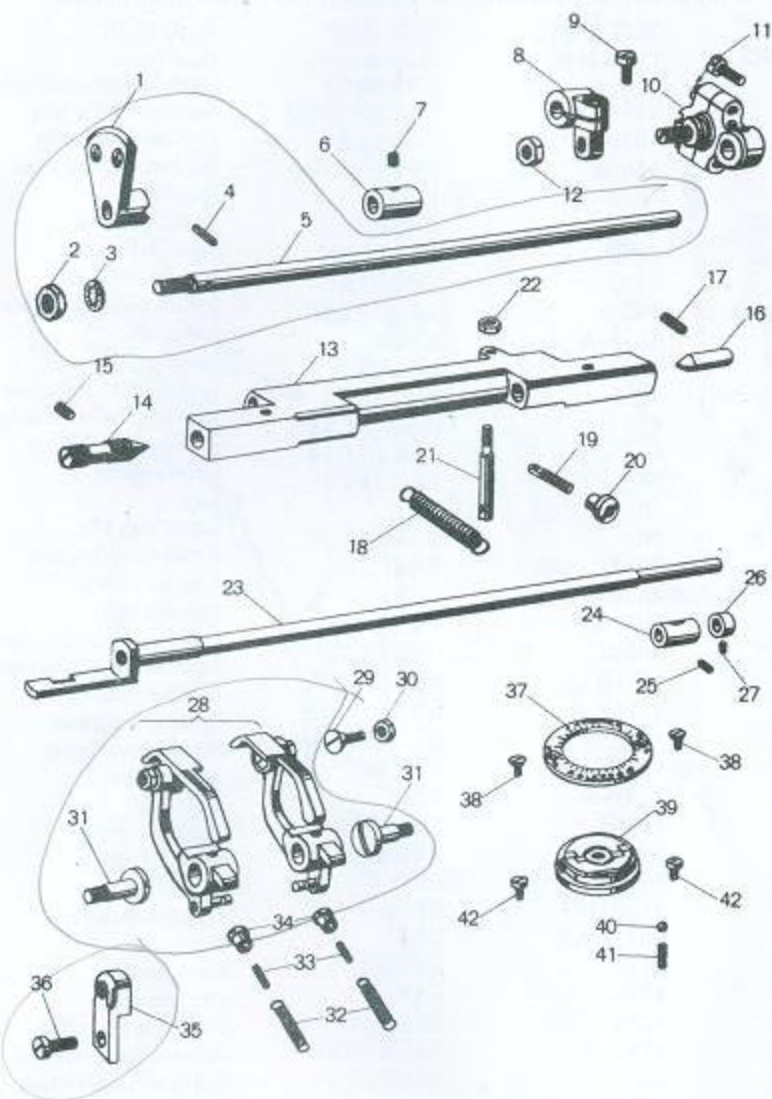
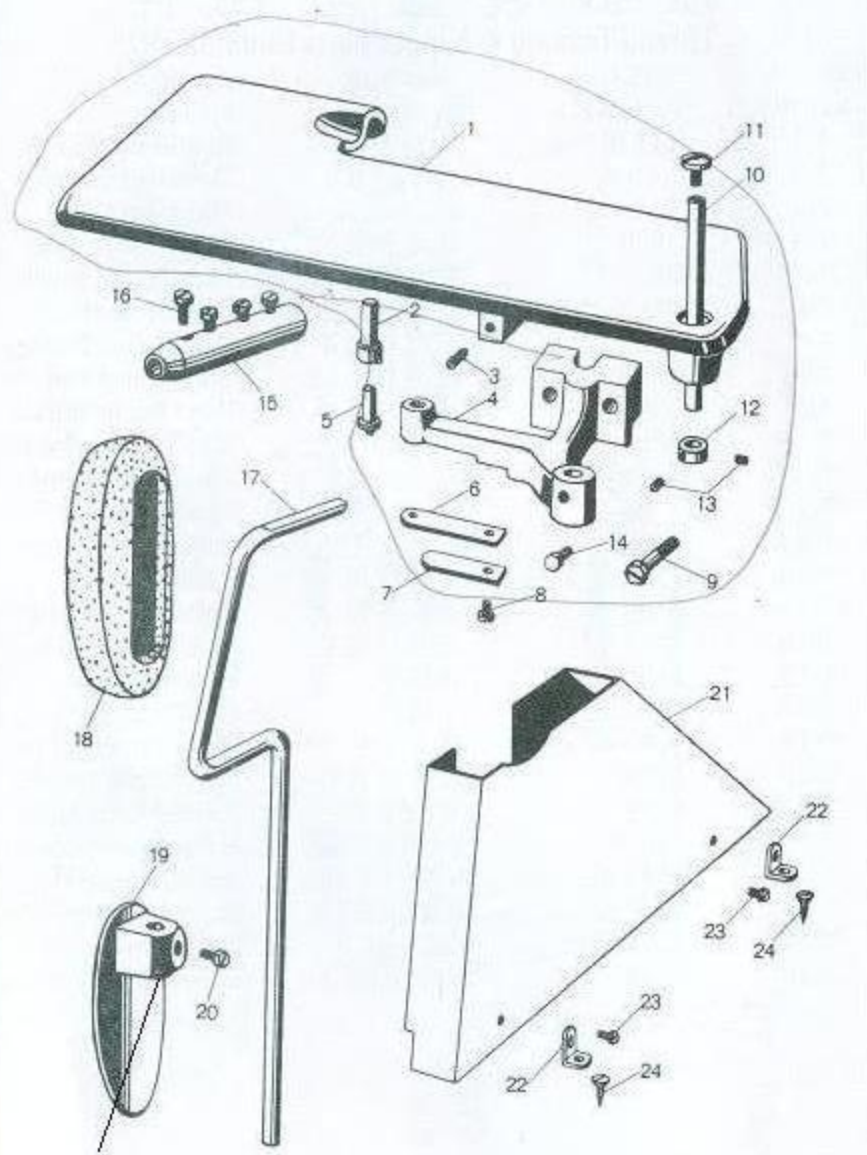


图 5

序号 Ref.NO.	部件号码 Parts No.	部件名称 Description	部件名称 Description
5-1	11220-T	起菱盘	Ridge Forming Disc
5-2	4208	起菱盘螺母	Ridge Forming Disc Nut
5-3	5222-B	起菱盘垫圈	Ridge Forming Disc Washer
5-4	8150	起菱盘挡销	Ridge Forming Disc Positioning Pin
5-5	4109-A	起菱盘轴	Ridge Forming Disc Shaft
5-6	4111	起菱盘轴环	Ridge Forming Disc Shaft Collar
5-7	129-B	起菱盘轴环螺母	Ridge Forming Disc Shaft Collar Set Screw
5-8	4112	起菱盘曲柄	Ridge Forming Disc Shaft Crank
5-9	113-B	起菱盘曲柄螺钉	Ridge Forming Disc Shaft Crank Set Screw
5-10	515-A	球形接头和螺钉	Ball Joint & Stud Assembly with Screw (No.1)
5-11	108	球头固定螺母	Ball Joint Set Nut
5-12	4176	球头固定螺母	Ball Stud Nut
5-13	4102	起菱盘调节柄	Disc Adjusting Holder
5-14	4108	调节柄调节螺钉	Disc Adjusting Holder Pivot Bearing Screw
5-15	98	调节柄轴固定螺母	Disc Adjusting Holder Pivot Bearing Set Nut
5-16	4107	调节柄锥度销	Disc Adjusting Holder Pivot Bearing Pin
5-17	98-A	调节柄锥度销螺母	Disc Adjusting Holder Pivot Bearing Pin Set Nut
5-18	4104	调节柄弹簧	Disc Adjusting Holder Spring
5-19	4105	调节柄弹簧螺母	Disc Adjusting Holder Spring Set Nut
5-20	4106	调节柄弹簧螺母	Disc Adjusting Holder Spring Nut
5-21	4103-A	调节柄弹簧螺母	Disc Adjusting Holder Spring Stud
5-22	5208	调节柄弹簧拉销螺母	Disc Adjusting Holder Spring Stud Nut
5-23	11075-A	抬压脚轴	Feed Plate Shaft
5-24	4043	抬压脚轴套管	Feed Plate Shaft Bushing
5-25	98	套管螺钉	Feed Plate Shaft Bushing Set Screw
5-26	4090	抬压脚轴轴环	Feed Plate Shaft Collar
5-27	129-B	抬压脚轴轴环螺母	Feed Plate Shaft Collar Set Screw
5-28	516-B	压脚组件	Feed Plate Assembly (No.1) (No.2) (No.3)
5-29	4101	压脚螺母	Feed Plate Taper Bearing Screw
5-30	4070	压脚螺母	Feed Plate Nut
5-31	4096	压脚轴位螺母	Feed Plate Shoulder Bearing Screw
5-32	4093-BA	压脚拉簧	Feed Plate Spring
5-33	4094	压脚拉簧螺母	Feed Plate Spring Set Nut
5-34	4095	压脚拉簧螺母	Feed Plate Spring Adjusting Nut
5-35	4097-A	压脚托架	Feed Plate Bracket
5-36	113-B	托架螺钉	Feed Plate Bracket Set Screw
5-37	4122	调节显示牌	Disc Adjusting Dial
5-38	4129	调节显示牌螺钉	Disc Adjusting Dial Set Screw
5-39	519-AA	起菱盘调节器	Disc Adjusting Regulator Assembly
5-40	4010	钢球	Disc Adjusting Regulator Ball
5-41	4011	调节弹簧	Disc Adjusting Regulator Spring
5-42	115	调节基座螺钉	Disc Adjusting Regulator Base Set Screw

操作板, 压杆及皮带部位的零部

Work Plate, Knee Press & Belt Cover Parts Components



序号 Ref.NO.	部件号码 Parts No.	部件名称 Description	部件名称 Description
8-1	4153	面板	Work Plate
8-2	4156	面板固定销	Work Plate Latch
8-3	4230	面板固定销螺钉	Work Plate Latch Set Screw
8-4	4157-A	面板支架	Work Plate Bracket
8-5	4159	面板支架弹簧销	Work Plate Bracket Spring Pin
8-6	4160	面板支架长弹簧片	Work Plate Bracket Leaf Spring(Long)
8-7	4161	面板支架短弹簧片	Work Plate Bracket Leaf Spring(Short)
8-8	4048-A	面板支架弹簧片螺钉	Work Plate Bracket Leaf Spring Set Screw
8-9	4158	面板支架固定螺钉	Work Plate Bracket Set Screw
8-10	4154-A	面板轴	Work Plate Shaft
8-11	99-A	面板螺钉	Work Plate Shaft Screwed Cap
8-12	4155	面板轴套筒	Work Plate Shaft Collar
8-13	132	套筒螺钉	Work Plate Shaft Collar Set Screw
8-14	4180	面板轴螺钉	Work Plate Shaft Set Screw
8-15	4146-A	压杆套筒	Work Press Rod Sleeve
8-16	4147-B	压杆套筒螺钉	Knee Press Rod Sleeve Set Screw
8-17	4148-A	压杆	Knee Press Rod
8-18	4212	护垫	Knee Press Pad
8-19	4149	压板	Knee Press Plate
8-20	4147-B	压板螺钉	Knee Press Plate Set Screw
*8-21	4219-A	皮带罩	Belt Cover
*8-22	11554	皮带罩托架	Belt Cover Bracket
*8-23	5233	皮带罩架螺钉	Belt Cover Bracket Set Screw
*8-24	11557	皮带罩木螺钉	Belt Cover Wood Screw

*EXTRA ACCESSORIES

图8